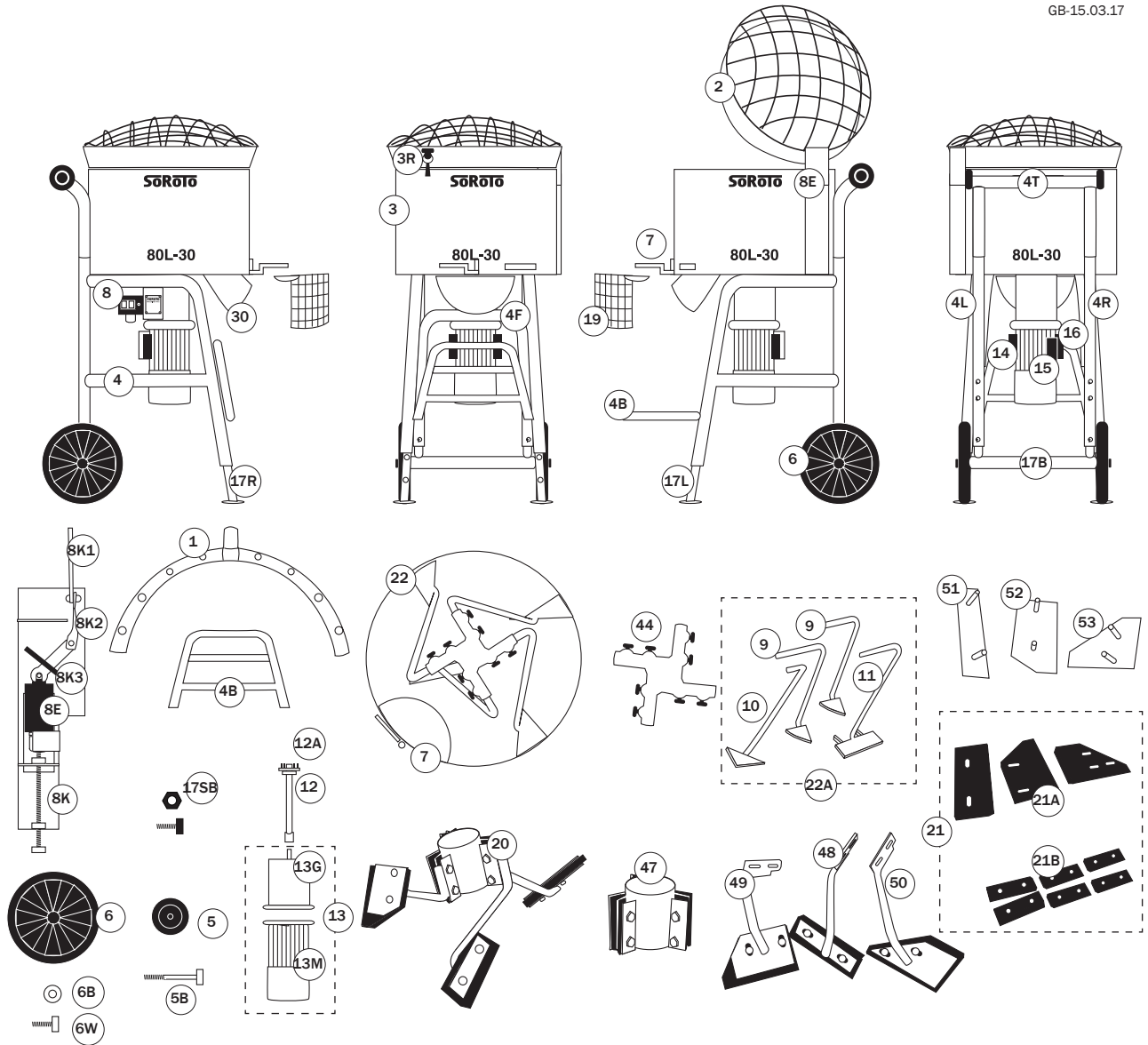


# Spare Part List - 80 L, 230V



Pos. No.	Description	Art. No.
1 *	Dust liminator .....	80.001DL
2	Grid lid (hinge 100 mm) .....	80.002
3	Mixer drum incl. mixer gate, complete set .....	80.003
3 R	Rubber strap - for grid lid .....	80.003R
4	Frame, complete w/wheels etc. ....	80.004
4 B	Bucket stand .....	80.004B
4 F	Frame, front part (U-shape) .....	80.004F
4 L	Frame, left side part .....	80.004L
4 R	Frame, right side part .....	80.004R
4 T	Frame, top/rear part .....	80.004T
5	Loading wheel (1 pc), 80 mm, excl. bolt .....	80.005
5 B	Bolt (1 pc.) for 80 mm loading wheel .....	80.005B
6	Wheel (1 pc.), 300 mm, excl. bolt .....	80.006
6 B	Bolt (1 pc.) for 300 mm wheel .....	80.006B
6 W	Washer (1 pc.) for 300 mm wheel .....	80.006W
7	Mixer gate incl. bolt etc. ....	80.007
8	Switch 9.5 Amp. w/thermal circuit breaker .....	80.008
8 E	Safety switch - by the grid lid .....	80.008E
8 K	Cassette for safety switch, complete .....	80.008K
8 K1	Piece for safety switch, bended metal part .....	80.008K1
8 K2	Piece for safety switch, twisted metal part .....	80.008K2
8 K3	Piece for safety switch, rubber part .....	80.008K3
9	Mixer arm (1 pc.), Side .....	80.009
10	Mixer arm (1 pc.), Side-base .....	80.010
11	Mixer arm (1 pc.), Rake .....	80.011
12	Drive shaft, complete .....	80.012
12 A	Spring pins, complete set of 12 pins incl. a jig .....	80.012A
13	Gear motor 1.1 kW, 1400/30 RPM, 230 V .....	80.013
13 G	- Gear only .....	80.013G
13 M	- Motor only .....	80.013M
14	Starting capacitor 125 µf .....	80.014
15	Operating capacitor 25 µf .....	80.015
16	Phase capacitor 20 µf .....	80.016
17 B	Telescopic legs, rear .....	80.017B
17 L	Telescopic leg, front - left side .....	80.017L
17 R	Telescopic leg, front - right side .....	80.017R
17 SB	Bolt and nut (1 pair) for telescopic leg (1 pc.) .....	80.017SB
19	Safety grid - by the mixer gate .....	80.019
20 *	Mixer arms w/rubber, 3 pcs., complete set .....	80.020
20 A	Mixer arms w/rubber, 3 pcs., wo/cross joint .....	80.020A
48	Mixer arm w/rubber, Rake .....	80.048
49	Mixer arm w/rubber, Side-base .....	80.049
50	Mixer arm w/rubber, Side .....	80.050
21	Rubber parts (replacement set, complete) .....	80.021
21 A	Rubber parts (replacement set, blades only) .....	80.021A
21 B	Rubber parts (replacement set, cross joint only) .....	80.021B
22	Mixer arms, set of 4 pcs., complete .....	80.022
22 A	Mixer arms, set of 4 pcs., wo/cross joint .....	80.022A
30	Discharge chute (incl. nuts) .....	80.030
44	Cross joint for mixer arms, steel .....	80.044
47	Cross joint for mixer arms, rubber .....	80.047
51	Bracket for mixer blade, rubber, Rake .....	80.051
52	Bracket for mixer blade, rubber, Side-base .....	80.052
53	Bracket for mixer blade, rubber, Side .....	80.053



\* OPTIONAL / ADDITIONAL EQUIPMENT