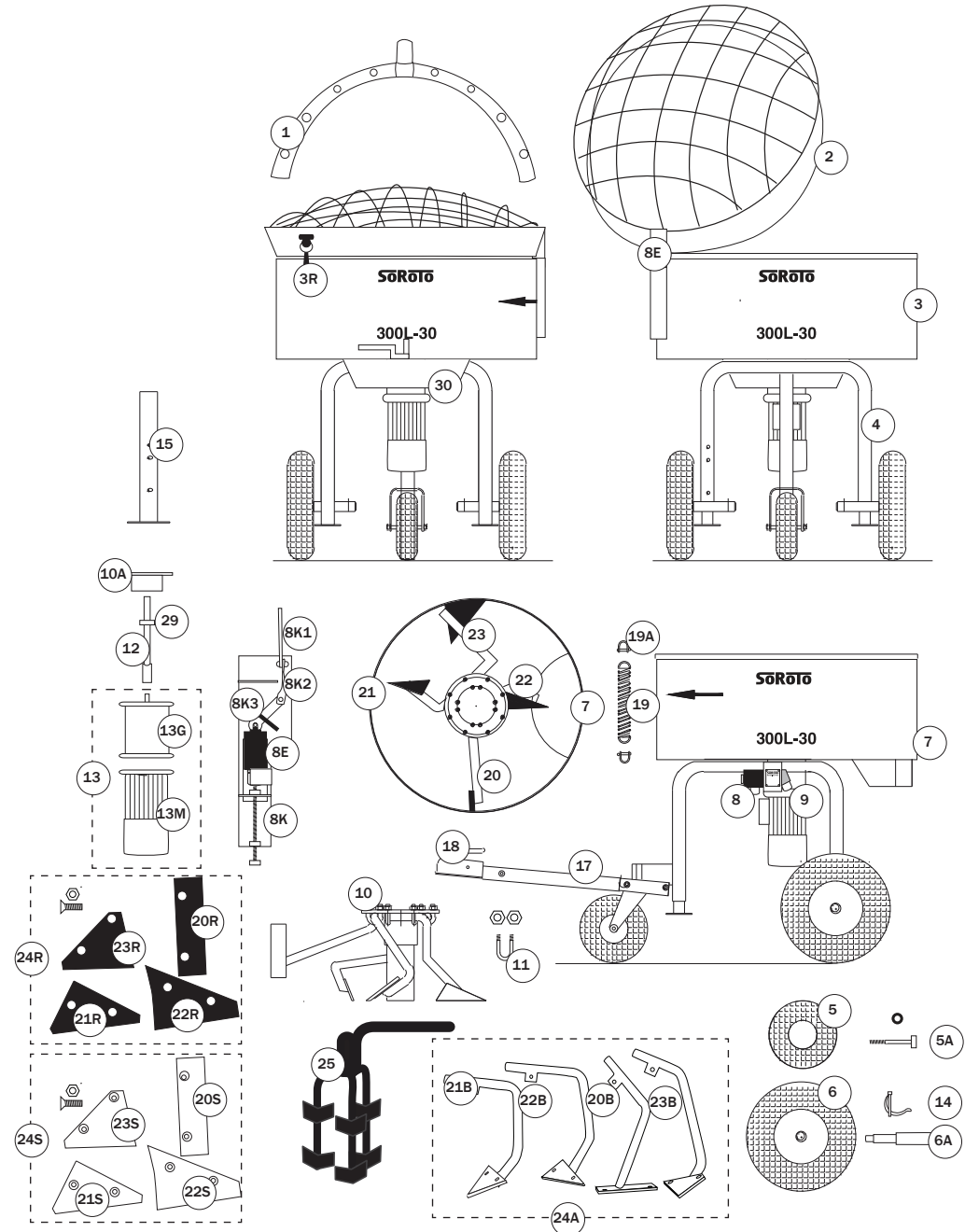


# Spare Part List - 300 L, 400V

Pos.No	Description	Art. No.
1 *	Dust liminator.....	300.001DL
2	Grid lid (hinge 100 mm).....	300.002
3	Mixer drum incl. mixer gate, complete set .....	300.003
3 R	Rubber strap - for grid lid.....	300.003R
4	Frame, complete w/wheels etc. ....	300.004
5	Wheel (1 pc.), 250 mm, excl. bolt.....	300.005
5 A	Bolt, 10x120 mm, for 250 mm wheel, incl. nut.....	300.005A
6	Wheel (1 pc.), 400 mm, excl. bolt.....	300.006
6 A	Axle (1 pc.) for 400 mm wheel.....	300.006A
7	Mixer gate incl. bolt etc.....	300.007
8	Switch 9.5 Amp. w/therm. circuit breaker, phase adj. system .....	300.008
8 E	Safety switch - by the grid lid.....	300.008E
8 K	Cassette for safety switch, complete .....	300.008K
8 K1	Piece for safety switch, bended metal part.....	300.008K1
8 K2	Piece for safety switch, twisted metal part.....	300.008K2
8 K3	Piece for safety switch, rubber part.....	300.008K3
9	Outlet plug 1 x 230V 16 Amp.....	300.009
10	Top disc, separate (w/U-bolts).....	300.010
10 A	Top disc, separate (wo/U-bolts and nuts).....	300.010A
11	U-bolt (1 pc.) for securing top disc (8 pcs. needed in total) .....	300.011
12	Drive shaft, complete.....	300.012
13	Gear motor 3.0 kW, 1400/30 RPM, 400V .....	300.013
13 G	- Gear only.....	300.013G
13 M	- Motor only.....	300.013M
14	Strips (1 pc.) for the axle and telescopic legs, dia. ø55mm.....	300.014
15	Telescopic leg (1 pc.) .....	300.015
17 *	Pole excl. globe coupling .....	300.017
17 A	Stud bolt for pole.....	300.017A
18 *	Globe coupling incl. bolt and nut .....	300.018
19	Spring for grid lid.....	300.019
19 A	D-shackle bolt for spring.....	300.019A
20	Mixer arm w/rubber blade, Side .....	300.020
21	Mixer arm w/rubber blade, Mid-base .....	300.021
22	Mixer arm w/rubber blade, Tower-base.....	300.022
23	Mixer arm w/rubber blade, Side-base.....	300.023
24	Mixer arms w/rubber blade, complete set <i>incl.</i> top disc .....	300.024
24 A	Mixer arms w/rubber blade, complete set <i>excl.</i> top disc .....	300.024A
20 B	Mixer arm wo/rubber blade, Side .....	300.020B
21 B	Mixer arm wo/rubber blade Mid-base .....	300.021B
22 B	Mixer arm wo/rubber blade, Tower-base.....	300.022B
23 B	Mixer arm wo/rubber blade, Side-base.....	300.023B
20 R	Blade, rubber part, Side .....	300.020R
21 R	Blade, rubber part, Mid-base .....	300.021R
22 R	Blade, rubber part, Tower-base.....	300.022R
23 R	Blade, rubber part, Side-base.....	300.023R
24 R	Blades, rubber part, complete replacement set .....	300.024R
20 S*	Blade, Hardox steel, Side.....	300.020S
21 S*	Blade, Hardox steel, Mid-base .....	300.021S
22 S*	Blade, Hardox steel, Tower-base.....	300.022S
23 S*	Blade, Hardox steel, Side-base .....	300.023S
24 S*	Blades, Hardox steel, complete replacement set .....	300.024S
25 *	TURBO mixer arm (for mixing builder's mortar) ** .....	300.025
29	Bearing for drive shaft.....	300.029
30	Discharge chute .....	300.030



\* OPTIONAL / ADDITIONAL PARTS  
\*\* Pos.No. 21 is replaced by pos.no. 25